



**G30**  
**BG30 (excluded BG30/1504/HS)**

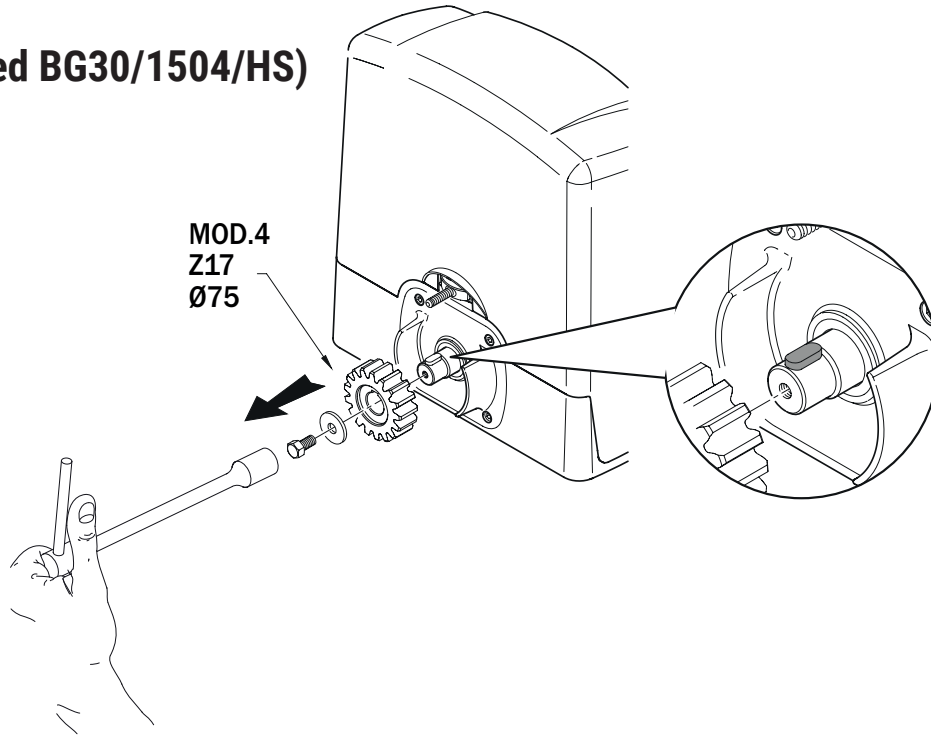


Fig. 1

**G30**  
**BG30 (excluded BG30/1504/HS)**

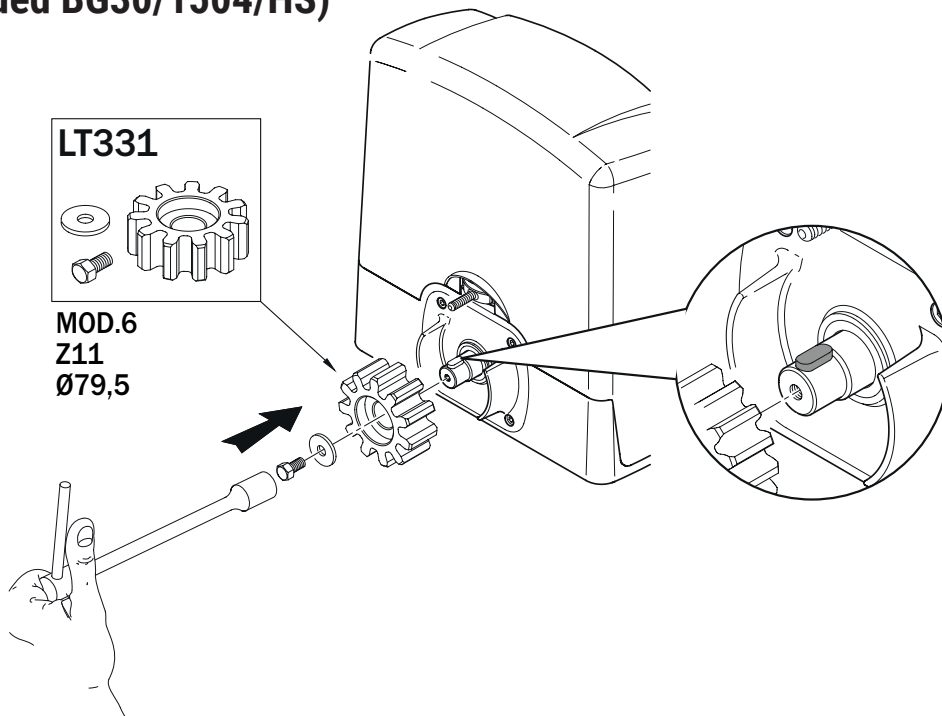


Fig. 2